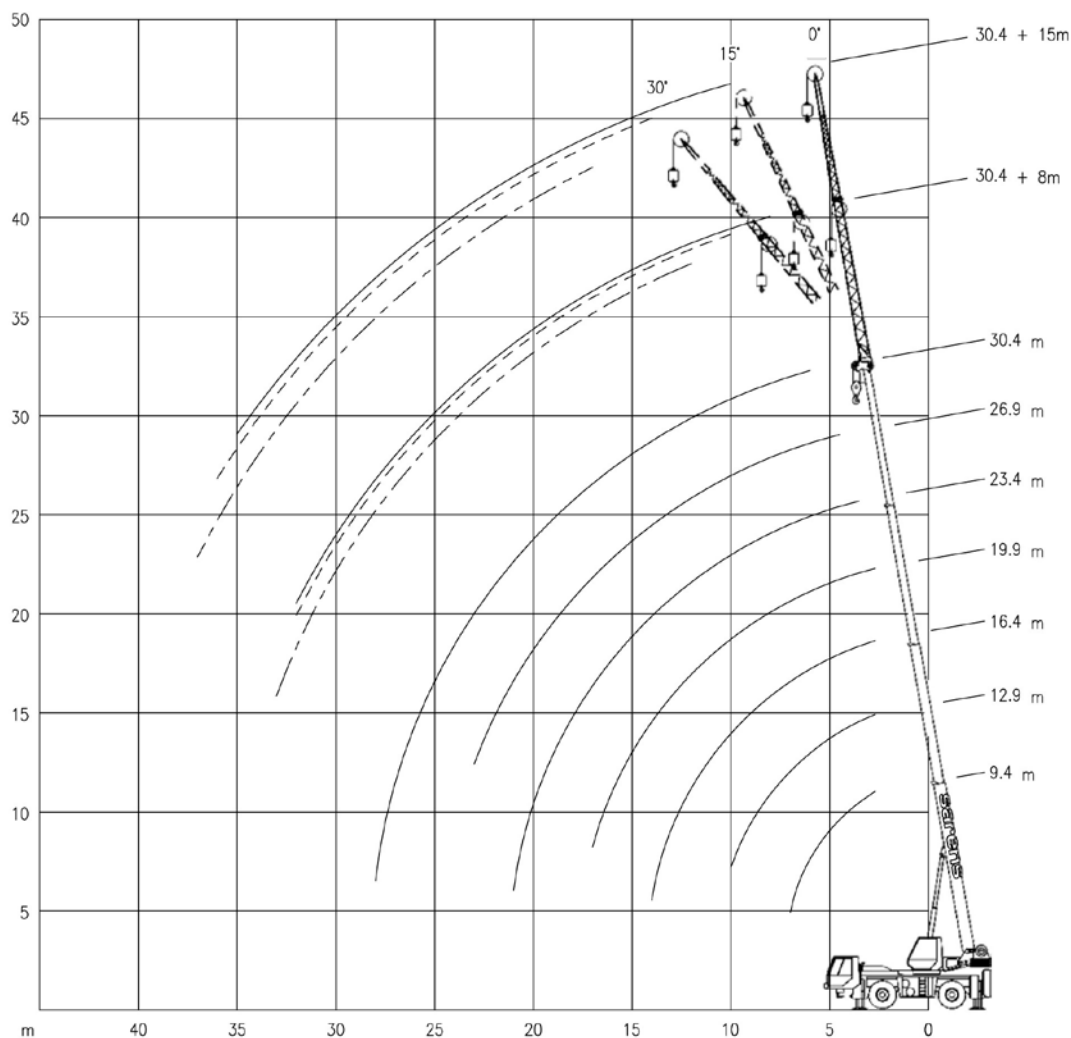


Технически Характеристики – Автокран под наем PPM ATT 400

PPM ATT 400
Noole graafik

35 TON



PPM ATT 400

35 TON

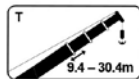
Tõstevõime



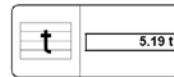
T



	9.4 m	12.9 m	16.4 m	19.9 m	23.4 m	26.9 m	30.4 m	9.4 m	12.9 m	16.4 m	19.9 m	23.4 m	26.9 m	30.4 m
m	t	t	t	t	t	t	t	t	t	t	t	t	t	t
2.7	35.0	20.2	17.4	12.3	-	-	-	-	-	-	-	-	-	-
3.0	32.0	20.2	17.4	12.3	-	-	-	29.9	20.2	17.4	12.3	-	-	-
3.5	27.4	20.2	17.4	12.3	11.0	-	-	26.4	20.2	17.4	12.3	11.0	-	-
4.0	23.7	20.2	17.4	12.3	11.0	-	-	23.6	20.2	17.4	12.3	11.0	-	-
4.5	20.7	20.2	17.4	12.3	11.0	10.2	-	20.7	20.2	17.4	12.3	11.0	10.2	-
5.0	18.1	19.0	17.4	12.3	11.0	10.0	-	18.1	19.0	17.4	12.3	11.0	10.0	-
6.0	14.0	15.5	15.5	12.1	10.5	8.8	8.0	14.0	14.2	14.1	12.1	10.5	8.8	8.0
7.0	10.5	13.0	12.9	10.7	9.3	7.8	7.3	10.5	10.6	10.6	10.5	9.3	7.8	7.3
8.0	-	10.7	10.8	9.5	8.3	7.1	6.5	-	8.3	8.3	8.3	8.2	7.1	6.5
9.0	-	8.9	8.8	8.6	7.4	6.4	5.9	-	6.5	6.5	6.5	6.4	6.4	5.9
10.0	-	7.25	7.4	7.3	6.8	5.9	5.4	-	5.2	5.2	5.2	5.2	5.9	5.4
11.0	-	-	6.3	6.2	6.1	5.5	5.0	-	-	4.6	4.5	4.5	5.2	5.0
12.0	-	-	5.3	5.3	5.3	5.1	4.6	-	-	3.8	3.8	3.8	4.4	4.4
13.0	-	-	4.6	4.6	4.5	4.6	4.2	-	-	3.3	3.2	3.2	3.7	3.7
14.0	-	-	3.9	3.9	3.9	4.2	3.9	-	-	2.7	2.7	2.7	3.2	3.2
15.0	-	-	-	3.4	3.3	3.7	3.6	-	-	-	2.3	2.3	2.7	2.7
16.0	-	-	-	2.9	2.9	3.3	3.3	-	-	-	1.9	1.9	2.4	2.4
17.0	-	-	-	2.5	2.5	2.9	2.9	-	-	-	1.6	1.6	2.0	2.0
18.0	-	-	-	-	2.1	2.6	2.6	-	-	-	-	1.3	1.8	1.8
19.0	-	-	-	-	1.8	2.2	2.2	-	-	-	-	1.1	1.5	1.5
20.0	-	-	-	-	1.6	2.0	2.0	-	-	-	-	0.9	1.4	1.4
21.0	-	-	-	-	1.3	1.7	1.7	-	-	-	-	0.7	1.2	1.2
22.0	-	-	-	-	-	1.6	1.6	-	-	-	-	-	1.1	1.1
23.0	-	-	-	-	-	1.4	1.4	-	-	-	-	-	0.9	0.9
24.0	-	-	-	-	-	1.2	1.2	-	-	-	-	-	0.7	0.7
25.0	-	-	-	-	-	-	1.1	-	-	-	-	-	-	0.7
26.0	-	-	-	-	-	-	1.0	-	-	-	-	-	-	0.5
27.0	-	-	-	-	-	-	0.9	-	-	-	-	-	-	0.4
28.0	-	-	-	-	-	-	0.7	-	-	-	-	-	-	-



T

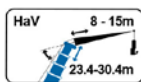


	0°							360°						
	9.4 m	12.9 m	16.4 m	19.9 m	23.4 m	26.9 m	30.4 m	9.4 m	12.9 m	16.4 m	19.9 m	23.4 m	26.9 m	30.4 m
m	t	t	t	t	t	t	t	t	t	t	t	t	t	t
3.0	9.3	9.1	9.1	-	-	-	-	6.5	6.4	6.4	-	-	-	-
3.5	8.2	8.2	8.1	-	-	-	-	5.6	5.5	5.4	-	-	-	-
4.0	7.3	7.3	7.2	-	-	-	-	4.8	4.7	4.7	-	-	-	-
4.5	6.6	6.5	6.5	-	-	-	-	4.2	4.1	4.1	-	-	-	-
5.0	6.0	5.9	5.8	-	-	-	-	3.7	3.6	3.5	-	-	-	-
6.0	4.9	4.9	4.8	-	-	-	-	2.9	2.8	2.7	-	-	-	-
7.0	4.1	4.1	4.0	-	-	-	-	2.3	2.2	2.1	-	-	-	-
8.0	-	3.4	3.4	-	-	-	-	-	1.7	1.7	-	-	-	-
9.0	-	2.9	2.9	-	-	-	-	-	1.3	1.3	-	-	-	-
10.0	-	2.5	2.4	-	-	-	-	-	1.0	1.0	-	-	-	-
11.0	-	-	2.1	-	-	-	-	-	-	0.7	-	-	-	-
12.0	-	-	1.8	-	-	-	-	-	-	0.5	-	-	-	-
13.0	-	-	1.5	-	-	-	-	-	-	-	-	-	-	-
14.0	-	-	1.3	-	-	-	-	-	-	-	-	-	-	-

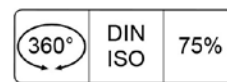
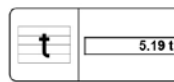
PPM ATT 400

35 TON

Tõstevõime lisanoolega



HaV



		8.0 m (folding jib)					
		23.4 m		26.9 m		30.4 m	
		0°		15°		30°	
m	t	t	t	t	t	t	t
5.0	5.6	-	-	-	-	-	-
6.0	5.6	4.0	-	-	-	-	-
7.0	5.2	4.0	-	-	-	-	-
8.0	4.9	4.0	3.3	-	-	-	-
9.0	4.6	4.0	3.3	-	-	-	-
10.0	4.3	3.8	3.3	3.2	-	-	-
11.0	4.0	3.5	3.3	3.0	-	-	-
12.0	3.8	3.3	3.2	2.8	2.5	-	-
13.0	3.6	3.1	3.0	2.6	2.4	-	-
14.0	3.4	2.9	2.8	2.5	2.3	-	-
15.0	3.3	2.7	2.7	2.4	2.2	-	-
16.0	3.1	2.5	2.5	2.3	2.1	-	-
17.0	3.0	2.4	2.4	2.2	2.0	-	-
18.0	2.6	2.3	2.3	2.1	1.9	-	-
19.0	2.3	2.2	2.2	2.0	1.8	-	-
20.0	2.1	2.1	2.0	1.9	1.8	-	-
21.0	1.8	2.0	1.9	1.8	1.7	-	-
22.0	1.6	1.9	1.8	1.7	1.7	-	-
23.0	1.5	1.7	1.6	1.7	1.6	-	-
24.0	1.3	1.5	1.5	1.6	1.6	-	-
25.0	1.1	1.4	1.3	1.4	1.4	-	-
26.0	1.0	1.3	1.1	1.2	1.3	-	-
27.0	0.8	1.1	1.0	1.1	1.2	-	-
28.0	0.7	1.0	0.9	1.0	1.1	-	-
29.0	0.5	0.9	0.8	0.8	0.9	-	-
30.0	-	0.8	0.7	0.7	0.8	-	-
31.0	-	0.7	0.6	0.6	0.7	-	-
32.0	-	0.6	0.5	0.5	0.6	-	-
33.0	-	-	-	0.5	0.5	-	-

		15.0 m (folding jib)			
		30.4 m			
		0°		30°	
m	t	t	t	t	t
10.0	1.7	-	-	-	-
11.0	1.7	-	-	-	-
12.0	1.7	-	-	-	-
13.0	1.7	-	-	-	-
14.0	1.7	1.4	-	-	-
15.0	1.7	1.4	-	-	-
16.0	1.6	1.3	-	-	-
17.0	1.6	1.3	1.1	-	-
18.0	1.6	1.2	1.0	-	-
19.0	1.5	1.2	1.0	-	-
20.0	1.5	1.2	1.0	-	-
21.0	1.4	1.2	1.0	-	-
22.0	1.4	1.1	1.0	-	-
23.0	1.3	1.1	1.0	-	-
24.0	1.3	1.1	0.9	-	-
25.0	1.3	1.1	0.9	-	-
26.0	1.2	1.0	0.9	-	-
27.0	1.2	1.0	0.9	-	-
28.0	1.1	1.0	0.9	-	-
29.0	1.0	1.0	0.9	-	-
30.0	0.9	1.0	0.9	-	-
31.0	0.7	0.9	0.9	-	-
32.0	0.7	0.8	0.9	-	-
33.0	0.6	0.7	0.8	-	-
34.0	0.5	0.6	0.7	-	-
35.0	0.4	0.5	0.6	-	-
36.0	-	0.5	0.5	-	-
37.0	-	-	0.4	-	-

Hook Block / Crane hook
Crochet mouflé / Crochet simple



Unterflasche / Hakengehänge
Kraanblok / Kraanhaak

Capacity Capacité Tragfähigkeit Capaciteit	Number of sheaves Nombre de poulies Anzahl der Rollen Aantal schijven	Number of lines Nombre de brins Strangzahl Aantal parten	Weight Poids Gewicht Gewicht	"B"
SWL 35 t !*	4	8	400 kg	2.55 m
SWL 25 t !*	3	6	380 kg	2.55 m
SWL 15 t	1	3	212 kg	2.55 m
SWL 5 t	-	1	90 kg	1.60 m